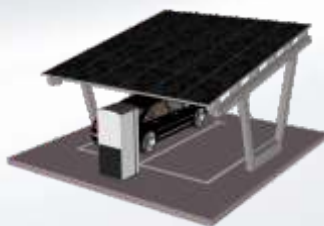


# Carport

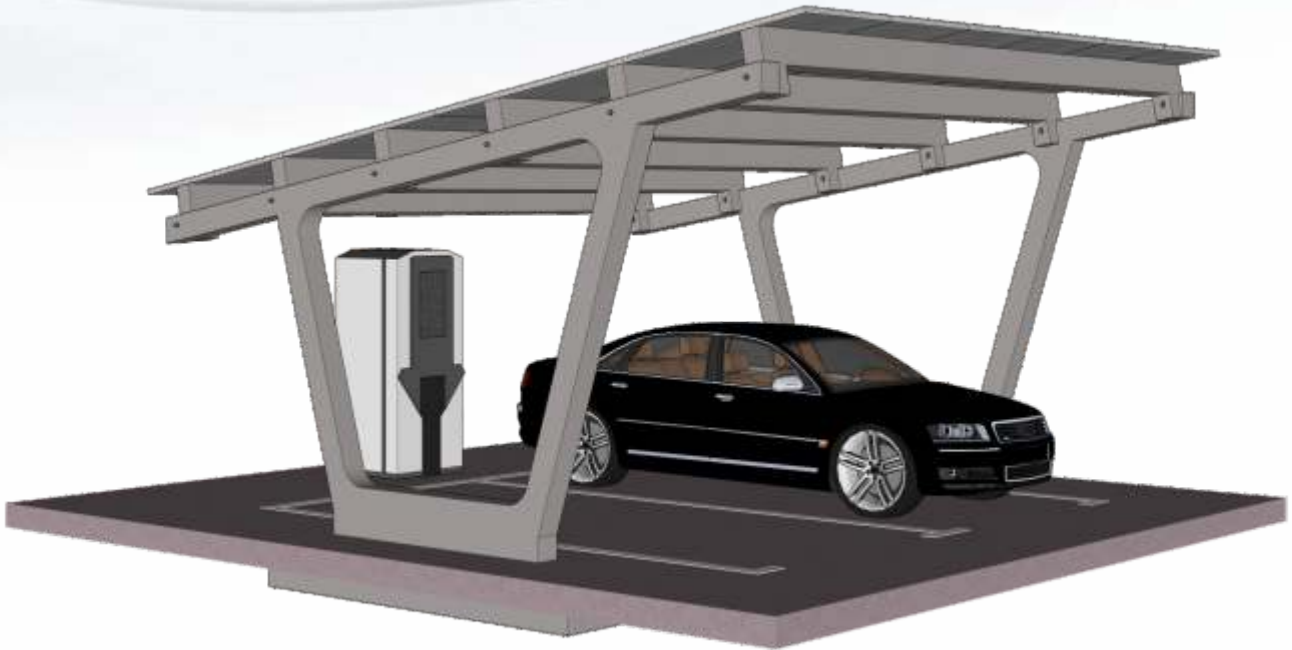
**Wichary**  
TECHNIC

**Modular carport  
of prefabricated concrete elements  
(water resistance class W8)**



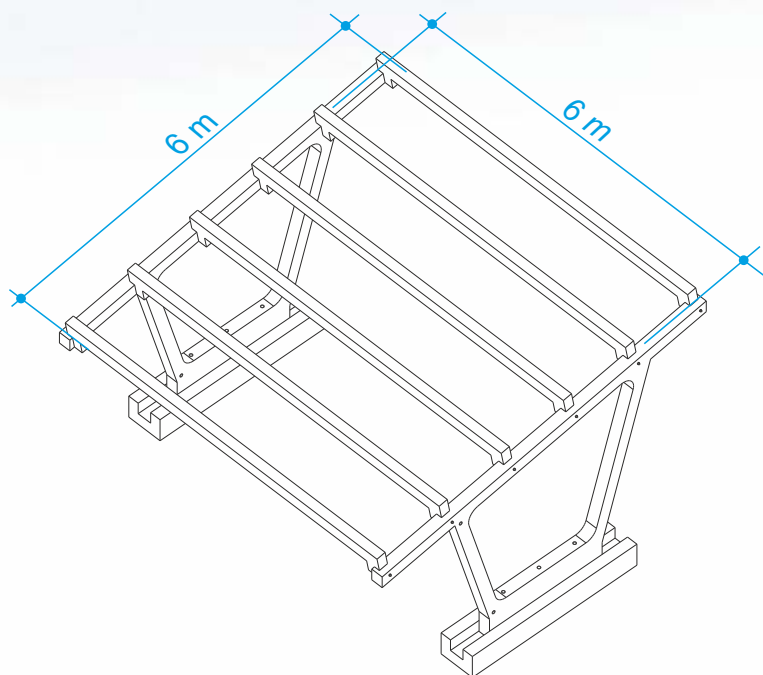
Very little destruction of parking space.  
Modular construction of concrete elements.

# Carport

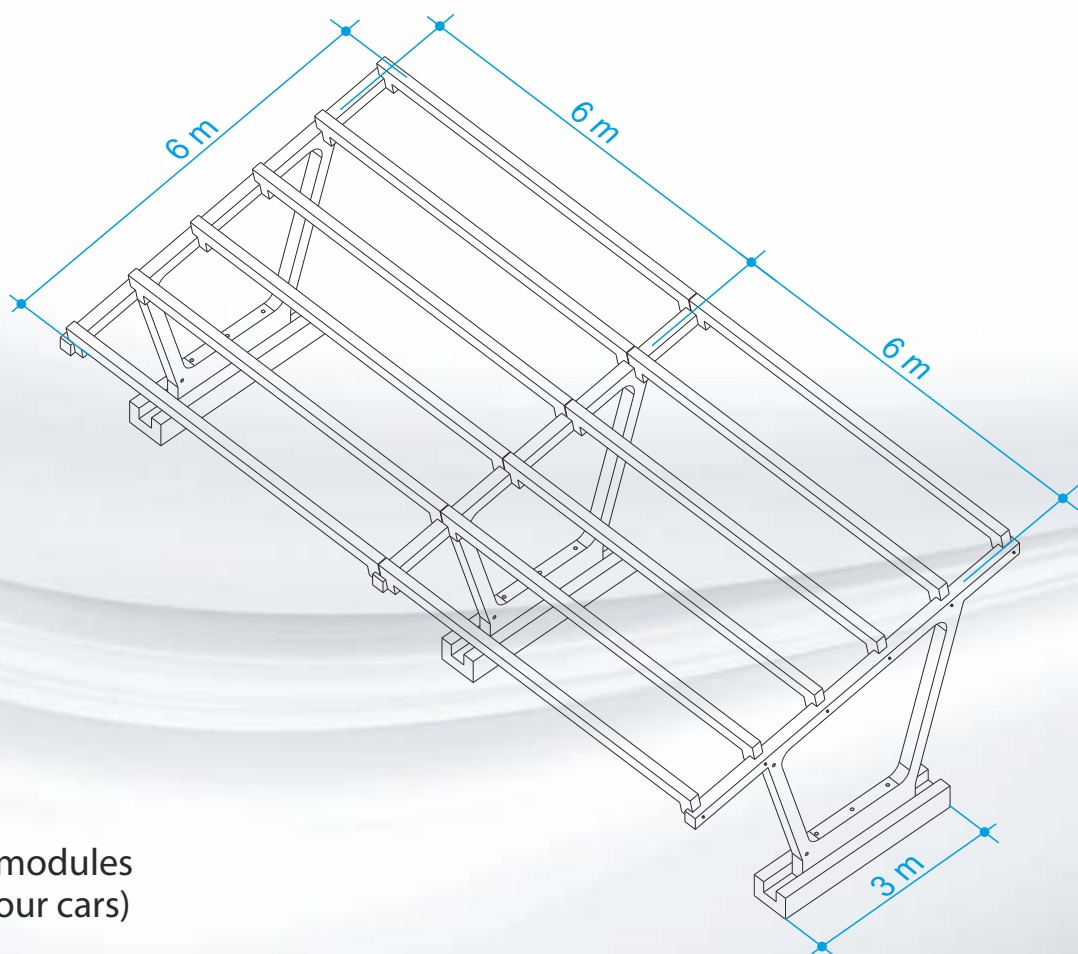


- Modular construction of concrete elements of water-resistant class W8
- Easy and quick to assemble, even during frosty periods
- No reinforcement or concreting of foundations required
- Very little destruction of parking space
- 3m x 0.6m finished foundation for each side wall
- Very little restoration work
- No requirement for corrosion protection - painting
- Delivery to the assembly site of all components as prefabricated elements
- Modular system allowing further segments to be added at any time
- Allows PV panel coverage of 7-8 kWp
- Possibility to install a PV inverter
- Equipped with secure inner ducts for routing PV installation cables
- Fast implementation times

# Carport



Single module  
(for two cars)



Two modules  
(for four cars)

# Carport

Implementation



# Carport

Implementation



# Carport

Assembly of prefabricated elements



# Carport

Assembly of prefabricated elements



## Construction details

